



U O U) U) U)

## Technical manual Mounting instructions

MD4060, MD6060, MD7060



MD4060



MD6060



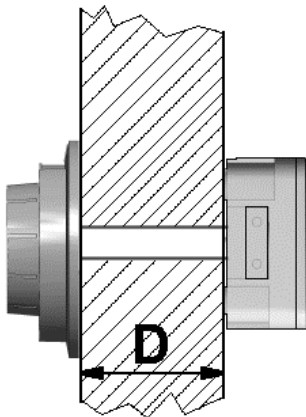
MD7060

## CHARACTERISTICS

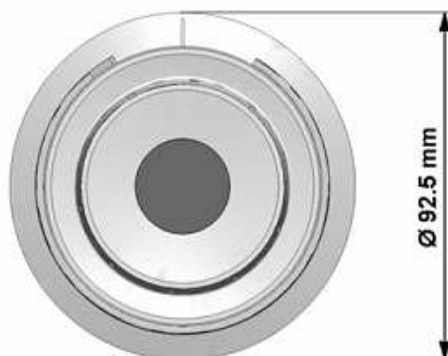
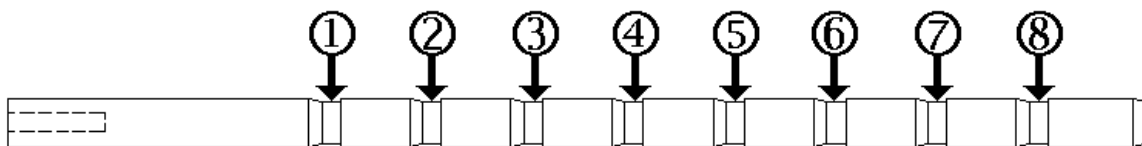
These mechanical dials are delivered with a 6mm square shaft as spindle and can be used only with lock ML6740. The numbers on the No-Spy dial can only be read up close by the operator. The code numbers cannot be "spied on" from a distance. These dials are available in ABS in black (MD6060) and mat chrome plated (MD7060) and as metal (MD4060). The provided shaft can be used for door diameters up to 125mm (5").

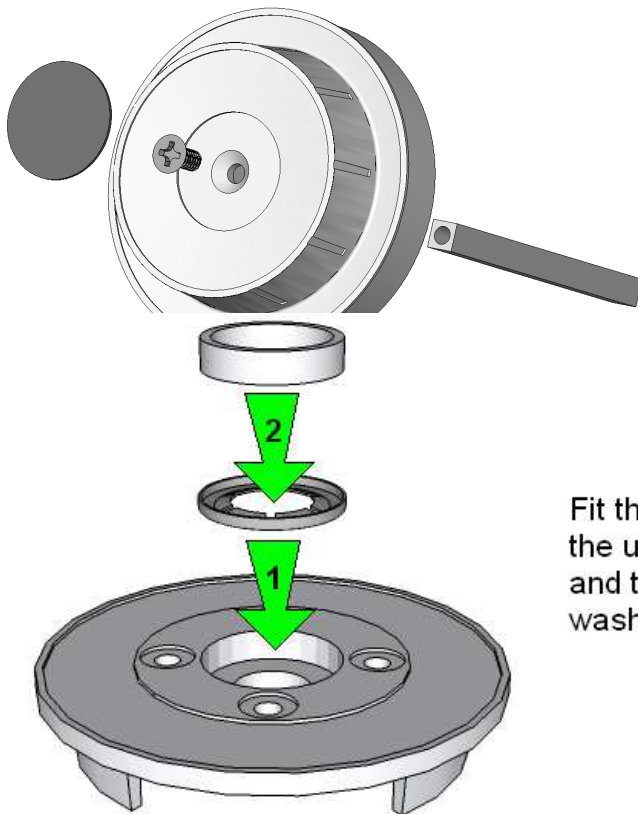
## DIMENSIONS / MOUNTING INSTRUCTIONS

Measure the distance (**D**) between the mounting surfaces of the dial and the lock (see picture below). Cut the shaft in one of the eight provided grooves. Use the table below to determine in which groove to cut. Do not leave more segments on the shaft than necessary. Normally no de-burring is required.



Distance (D) less than		Cut Groove #
23 mm	0.9 inch	1
36 mm	1.4 inch	2
48 mm	1.9 inch	3
61 mm	2.4 inch	4
74 mm	2.9 inch	5
87 mm	3.4 inch	6
100 mm	3.9 inch	7
112 mm	4.4 inch	8



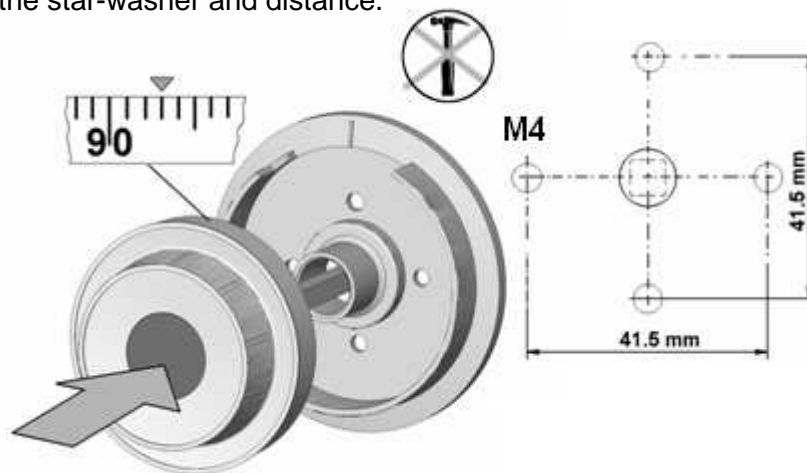


Affix the shaft in the square hole with the provided screw in the dial. Make sure the shaft is seated all the way in the square hole and does not rest in the hexagonal cavity above. Cover the screw with the label.

Fit the large star-washer in to the cavity on the underside of the dial ring as pictured (1) and then fit the distance ring on top of the star-washer (2)

Install the ML6740 lock first according to the installation instruction.

The diameter of the spindle hole should be maximum 12mm. Mount the dial plate with two M4 or 8/32" screws (not included) so that the opening index is at the 12:00 position taking care not to loose the star-washer and distance.



With the lock in OPEN position (bolt retracted) hold the dial in a way that approximately "93" is lined up with the opening index and push it with some pressure into the lock. The dial is now permanently fixed to ring.



CLAVIS Deutschland GmbH  
Grüner Weg 38  
34117 Kassel

Telefon: +49 (0)561 988 499-0  
E-Mail: info@tresore.eu  
Internet: www.tresore.eu  
www.tresorschloss.de